

# FOSTEX®

# W400A-HR

## Features

- Hi-rigid and reduced inherent resonance HR diaphragm is employed. By using the radial papermaking technique and whizzy hybrid materials, HR diaphragm realizes low distortion, high durability, large internal-loss and fast propagation speed like a metal diaphragm. This unique-shaped diaphragm offers smooth frequency response and superior low frequency reproduction that the conventional cone diaphragm has never achieved.
- Newly developed zincky die-cast frame based on the strength analysis by the finite element method.
- Stronger magnetic circuit using 3,100g alnico magnet is equipped for higher input durability and larger amplitude driving.
- Oval mounting hole can be adjusted between  $\phi 370 - \phi 375$ mm. W400A-HR has the compatibility with not only FOSTEX old 15" drivers but some famous woofers' replacements.
- UDR tangential surround & spider are equipped to realize the less anti-resonance and superior amplitude characteristic.



## Specifications

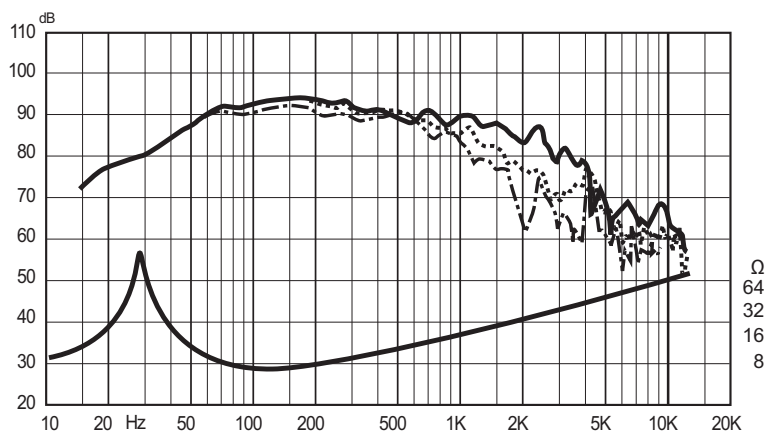
&

### Thiele/Small Parameters

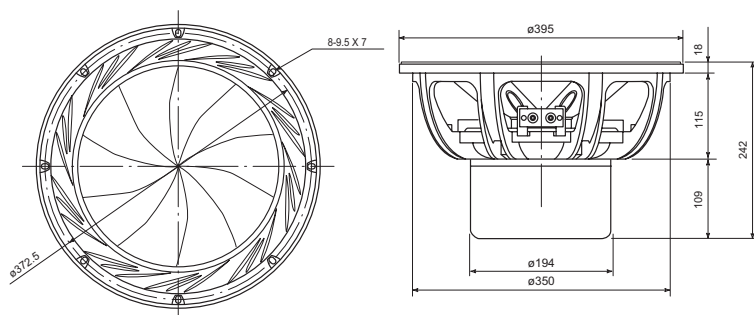
Size	:	395 mm / 15 in
Voice Coil Diameter	:	100 mm / 3.9 in
Cast / Stamped	:	Cast
Impedance	:	8 $\Omega$
Reproduction Frequency Response	:	fs - 2.5 kHz
Sound Pressure Level	:	94 dB/W(m)
Rated Input	:	67 W
Music Power	:	200W
Magnet Material	:	Alnico
Magnet Weight	:	3,100 g / 6.83 lb
Net Weight	:	21,400 g / 47.18 lb

a	:	161.3 mm
Sd	:	0.082 m <sup>2</sup>
Zn	:	8 $\Omega$
Fs	:	25 Hz
Re	:	6 $\Omega$
Le	:	2.64 mH
Qms	:	8.2
Qes	:	0.32
Qts	:	0.31
Mms	:	130 g
BL	:	19.5 Telsa/m
Vas	:	310 L
Xmax	:	5.5 mm
Eff/ $\eta_0$	:	1.4 %
Cms	:	0.33 mm/N
EBP	:	78.1

## Frequency Response / Impedance



## Dimensions & Mounting Information



Overall Diameter	:	395 mm / 15 in
Baffle Hole Diameter	:	350 mm / 13 in
Depth	:	242 mm / 9.5 in